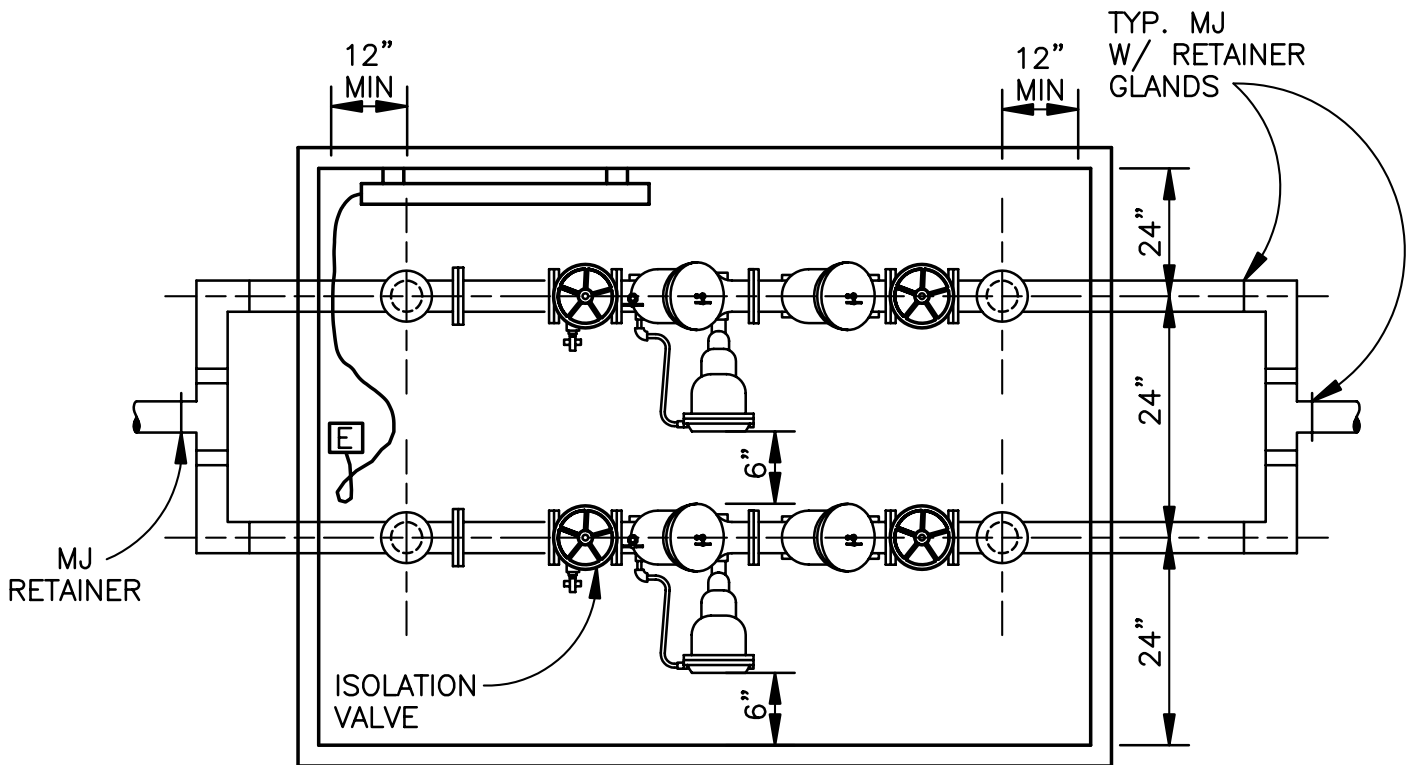
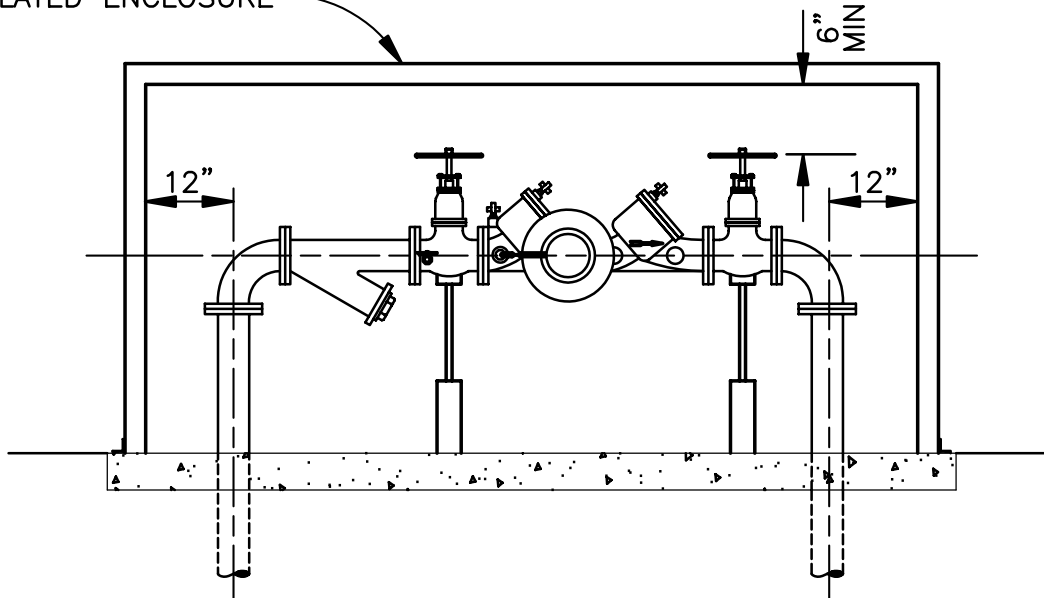


INSULATED ENCLOSURE



NOTES

1. NOTES INDICATED ON STANDARD NO. 03 SHALL APPLY HERE.
2. UNDER NORMAL CONDITIONS BOTH BACK FLOW PREVENTERS SHALL BE IN SERVICE WITH ISOLATION VALVES OPEN.
3. PIPE AND FITTINGS BELOW GRADE TO THE TEE SHALL BE MJ WITH RETAINER GLANDS.

CITY OF COVINGTON, GEORGIA
CROSS-CONNECTION CONTROL PROGRAM

RPZ BACKFLOW PREVENTER SIZE 3" - 10"
NON INTERRUPT SERVICE

STANDARD
No.

04

FEB. 1996